

DATASHEET

SPD030GAsmd Pressure Sensor

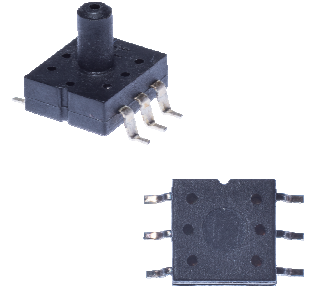
last update
oktober 5, 2016

reference
SPD030GAsmd

page
1/1

This Smartec pressure sensor has an amplified analogue output. The sensor is compensated for offset, sensitivity, temperature drift and nonlinearity.

The sensor is available in the range from 5 to 100 psi. All ranges on request. Available in Gauge and Absolute type. The output is ratiometric to the power supply voltage. @ 5 V power voltage the output span is 0.5 to 4.5 V. The SPD analogue series can be considered as an "analogue" successor of the SPD series



Electrical Characteristics

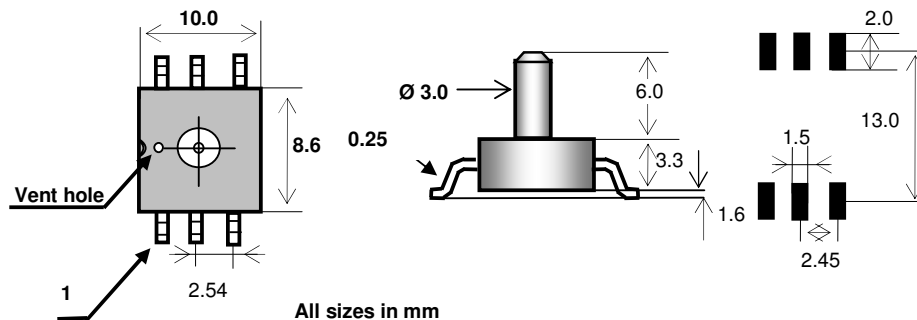
Performance Characteristic at Vcc =5V excitation @ 25 °C

Parameter	Min	Typ	Max	Units
Supply Voltage	4.75	5	5.5	V
Supply Current			3	mA
Pressure range (fs)	0		30	psi
Zero Output *)	0.428	0.5	0.572	Vdc
Span Output *)		4.00		Vdc
Max output current			1	mA
Accuracy **)			±1.8	%FS
Response time		1	2	ms
Pressure overload			3x	Rating
Operating temperature	-20		85	°C
Storage temperature	-40		125	°C

Wetted materials are: Pyrex Glass, Epoxy and silicon

*) Output is ratiometric to supply voltage

**) all errors included, temperature compensation over 50 °C



Pin Description

1	NC
2	Vcc
3	GND
4	Vcc
5	Out
6	GND

Do NOT connect NC pins
Apply 100nF between Vcc and Gnd.